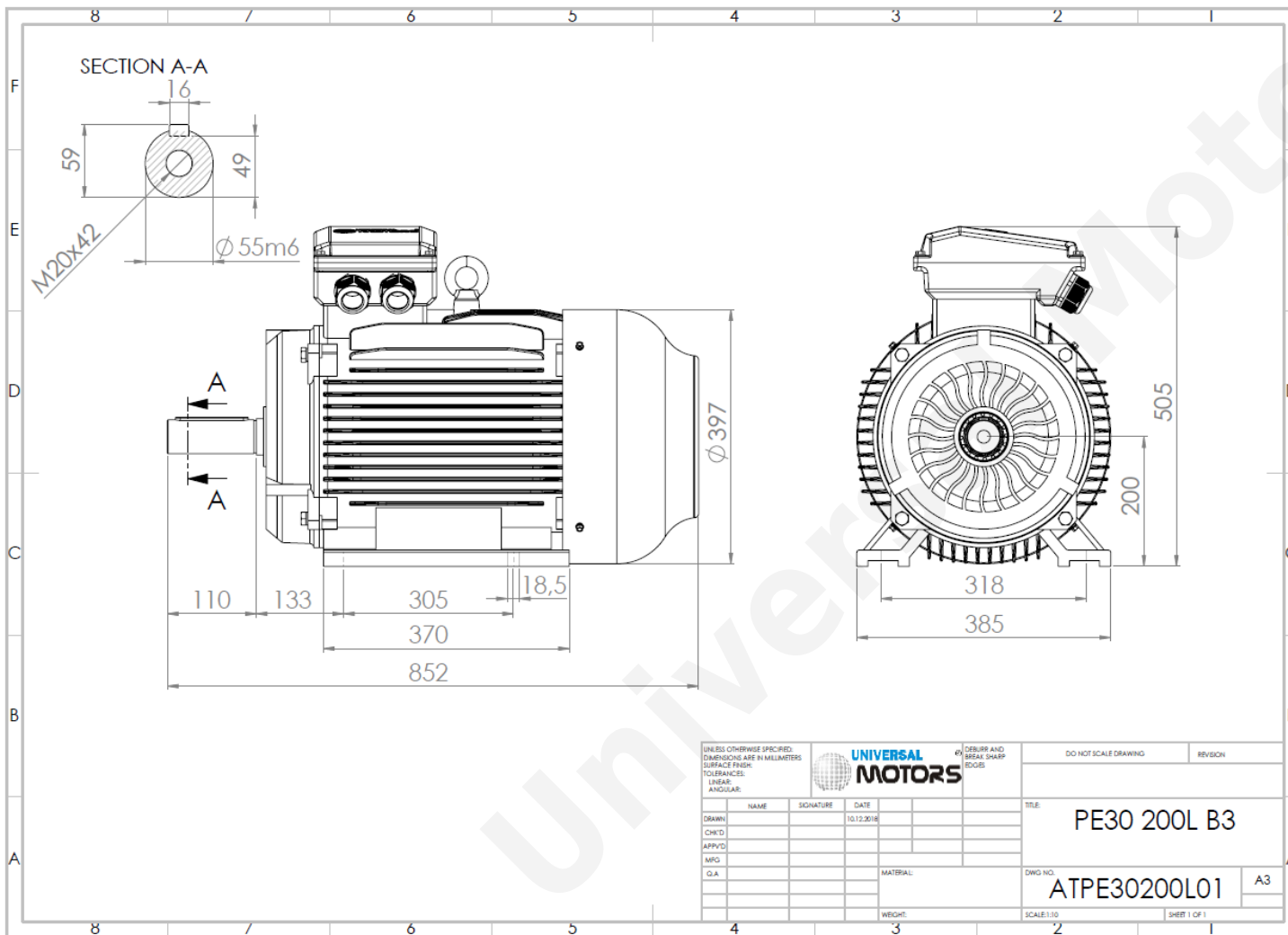




# TECHNICAL DATA

Three Phase Electric Motors - Cast Iron Frame  
 PE30 200 L2 6 IE3  
 22 kW / 30 Cv  
 985 RPM



Motor type:	PE30 200 L2 6 IE3
Output:	22 kW / 30 Cv
Speed (min <sup>-1</sup> ):	985 RPM
Frequency:	50 Hz
Voltage:	400 V
Current:	42.5 A
Power factor (Cos $\phi$ ):	0.81
Poles:	6
Insulation class:	F
Temperature rise Class:	B
Efficiency 50%:	91.2 %
Efficiency 75%:	92.6 %
Efficiency 100%:	92.3 %
Torque:	213 N.m
Tstarting/Tnominal:	2.0
Istarting/Inominal:	7.4
Tmaximum/Tnominal:	2.1
Noise:	63 Db(A)
Weight:	282 Kg
Bearing DE:	6312 C3
Bearing NDE:	6312 C3

Regime - S1

Altitude - 1000m

Environment Temperature - 40°C

## CONTACTS:

UNIVERSAL MOTORS Tel: +351 252 299 080  
 Rua de São Brás, 745 Fax: +351 252 299 089  
 4480-782 VILA DO CONDE Mail: [geral@universalmotors.pt](mailto:geral@universalmotors.pt)

\* References applied only in the UK